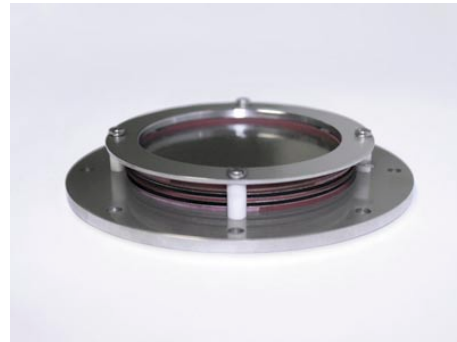


SPECIFICATION

DETECTOR WITH MCP 50-12, OPEN INPUT AND SEPARATED SUPPLY



The detector is intended for the solar wind registration in the scientific equipment.

The detector consists of MCP-stack, metal-ceramic fittings and a metal collector. Operating position of the detector is any. The operating principle is based on the charged particles input current registration and further amplification.

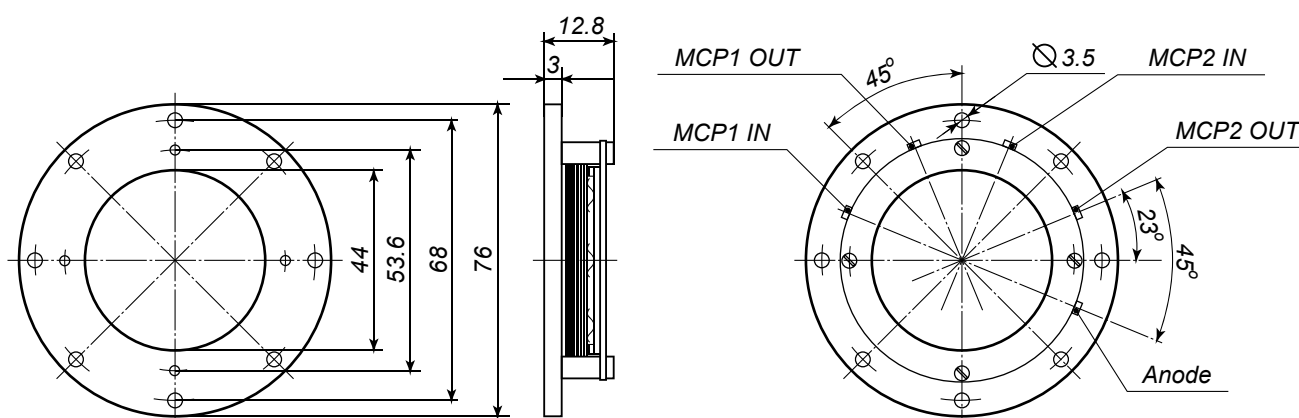
PHYSICAL CHARACTERISTICS

PARAMETER	DIMENSION	VALUE
MCP Channel Diameter	μm	12
Bias Angle	degree	7
Active Diameter	mm	44
Maximum Detector Outer Diameter	mm	76
Maximum Detector Height	mm	13
Number of MCP	-	2

ELECTRICAL PARAMETERS

PARAMETER	DIMENSION	VALUE
Minimum gain	-	1×10^7
Maximum Single-electron Amplitude Resolution	%	130
Maximum Dark Pulses Count Rate Density	pulse / s ⁻¹ × cm ⁻²	3
MCP Resistance	Ω	$5 \times 10^7 \div 2 \times 10^8$
Maximum Operating Voltage	V	2800
Vacuum ≤	Pa (Torr)	1.3×10^{-4} (1×10^{-6})

DIMENSIONAL OUTLINES



CIRCUIT DIAGRAM

