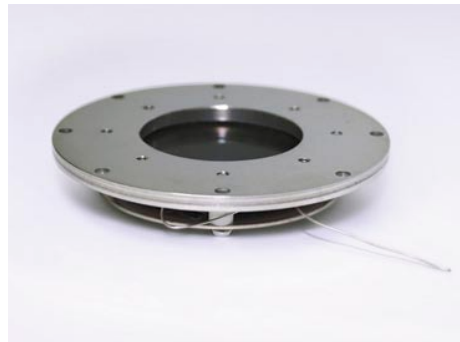


SPECIFICATION

DETECTOR WITH MCP 25-8, OPEN INPUT AND SEPARATED SUPPLY



The detector is intended for the corpuscular and electro-magnetic radiation registration in the scientific and industrial equipment. The detector consists of MCP-stack, metal-ceramic fittings and a metal collector. The operating principle is based on the charged particles input current registration and further amplification.

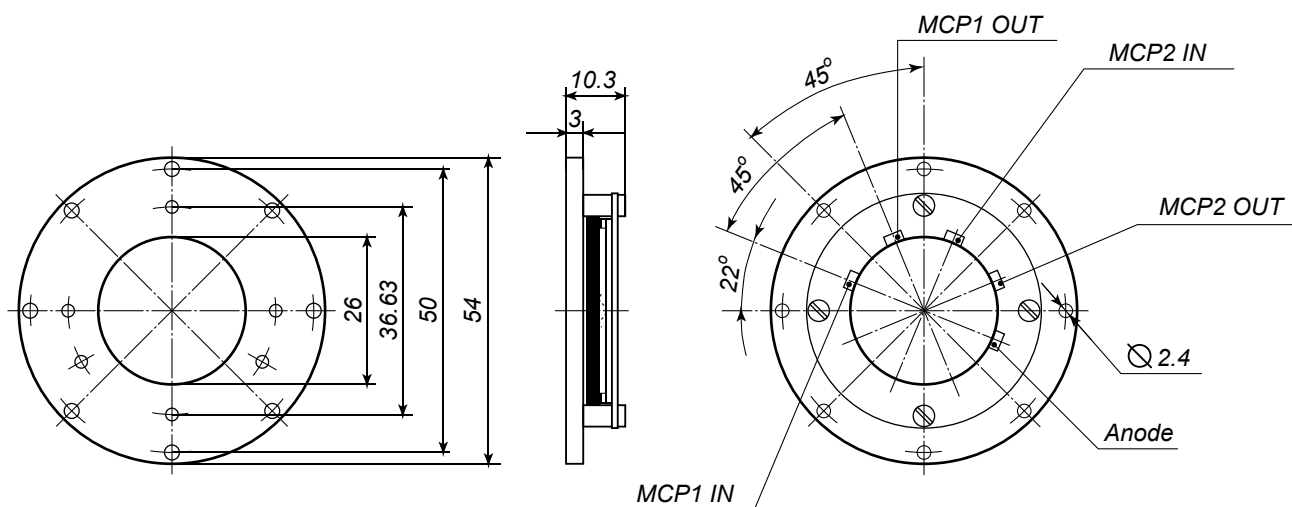
PHYSICAL CHARACTERISTICS

PARAMETER	DIMENSION	VALUE
MCP Channel Diameter	μm	8
Bias Angle	degree	7; 13
Active Diameter	mm	25
Maximum Detector Outer Diameter	mm	54
Maximum Detector Height	mm	13
Number of MCP	-	2

ELECTRICAL PARAMETERS

PARAMETER	DIMENSION	VALUE
Minimum gain	-	1×10^7
Maximum Single-electron Amplitude Resolution	%	130
Maximum Dark Pulses Count Rate Density	pulse / s ⁻¹ × cm ⁻²	3
MCP Resistance	Ω	$5 \times 10^7 \div 2 \times 10^8$
Maximum Operating Voltage	V	2800
Vacuum ≤	Pa (Torr)	1.3×10^{-4} (1×10^{-6})

DIMENSIONAL OUTLINES



CIRCUIT DIAGRAM

