

SPECIFICATION

VACUUM-PROCESSED UV RADIATION DETECTOR

Vacuum-processed detector on MCP basis having input window made of magnesium fluoride, yellow-green phosphor screen and FOP/ glass output plate. Detector may include chevron or Z-stack, (assemblies made of 2 or 3 MCPs), that make possible detector operation in photon counting mode. The detector is intended for UV imaging.

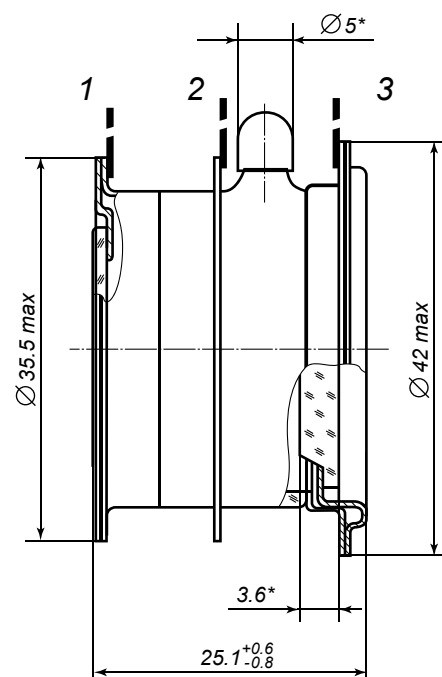


MAIN TECHNICAL DATA

PARAMETER	DIMENSION	VALUE
Range of spectral sensitivity	nm	120 - 250
Photocathode active area diameter	mm	18
Amplitude resolution 2 MCPs	%	max. 130
Amplitude resolution 3 MCPs	%	max. 90
MCP gain 2 MCPs (chevron)	-	min. 10^6
MCP gain 3 MCPs (Z-stack)	-	min. 10^8
Dark Pulses Count Rate Density (2MCPs)	pulse/s ⁻¹ ×cm ⁻²	max. 5
Weight	grammes	max. 30



DIMENSIONAL OUTLINES



Lead's number	Electrode	Voltage range
1	Input of multiplier: 2 MCPs 3 MCPs	"negative" (2000 – 2400), V "negative" (3000 - 3500), V
2	Multiplier output	0
3	Screen	(3 – 4,5) kV

